

Brateck

TV WALL MOUNT

For LCD/ LED TVs



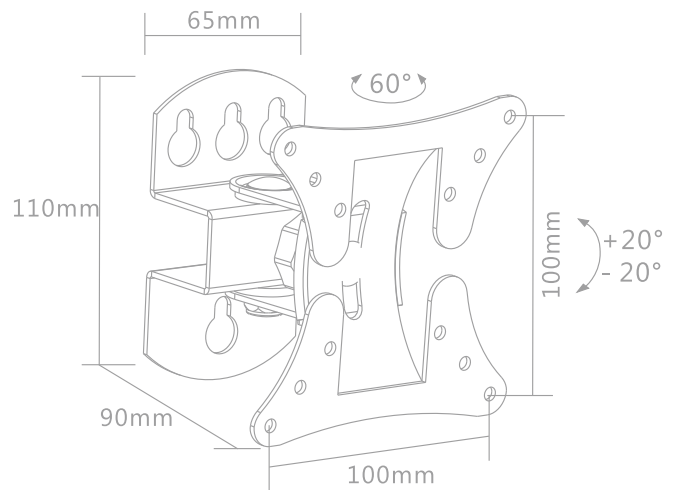
LCD-501

[FULL-MOTION]

MOST
13"-27"
MAX.VESA 100x100

rated
30kg/66lbs

90mm



50x50 75x75 100x100

